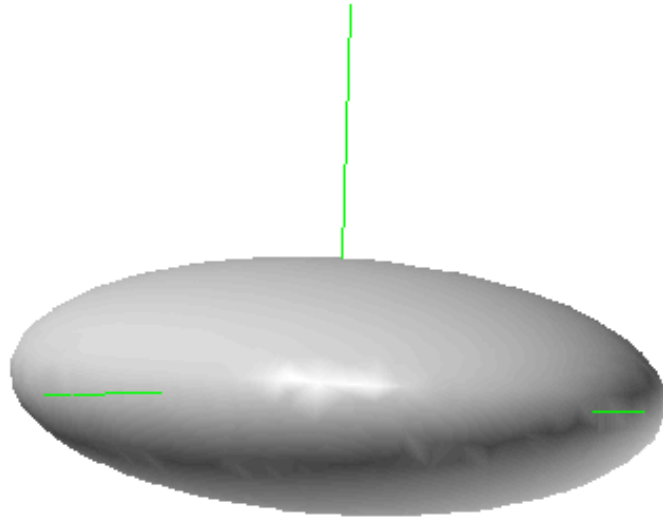
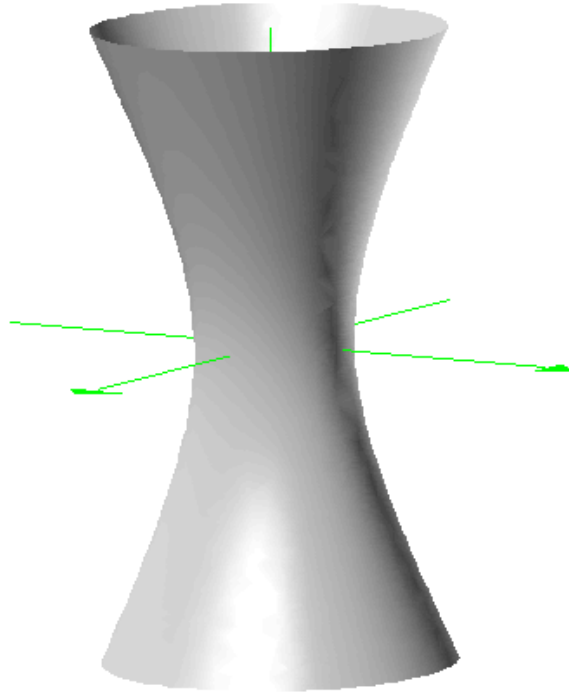
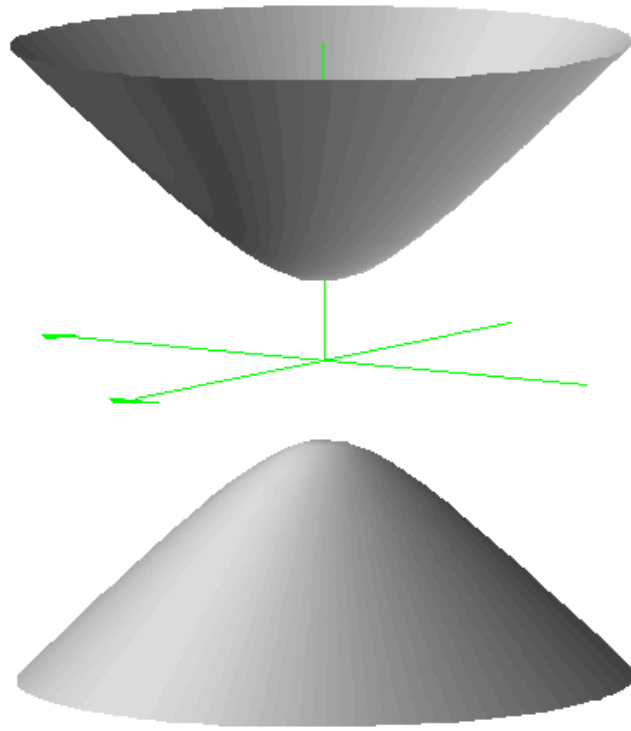


Ellipsoid: $\frac{x^2}{2} + \frac{y^2}{3} + \frac{z^2}{1} = 1$

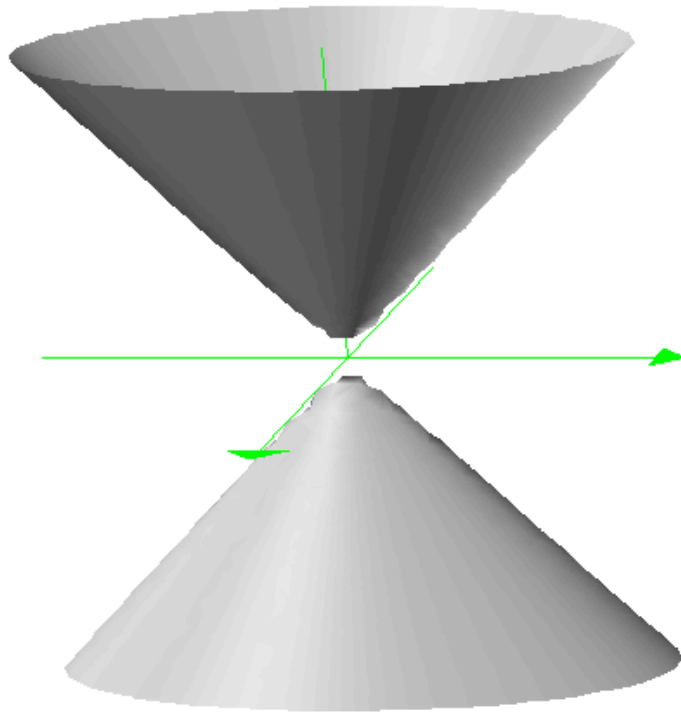




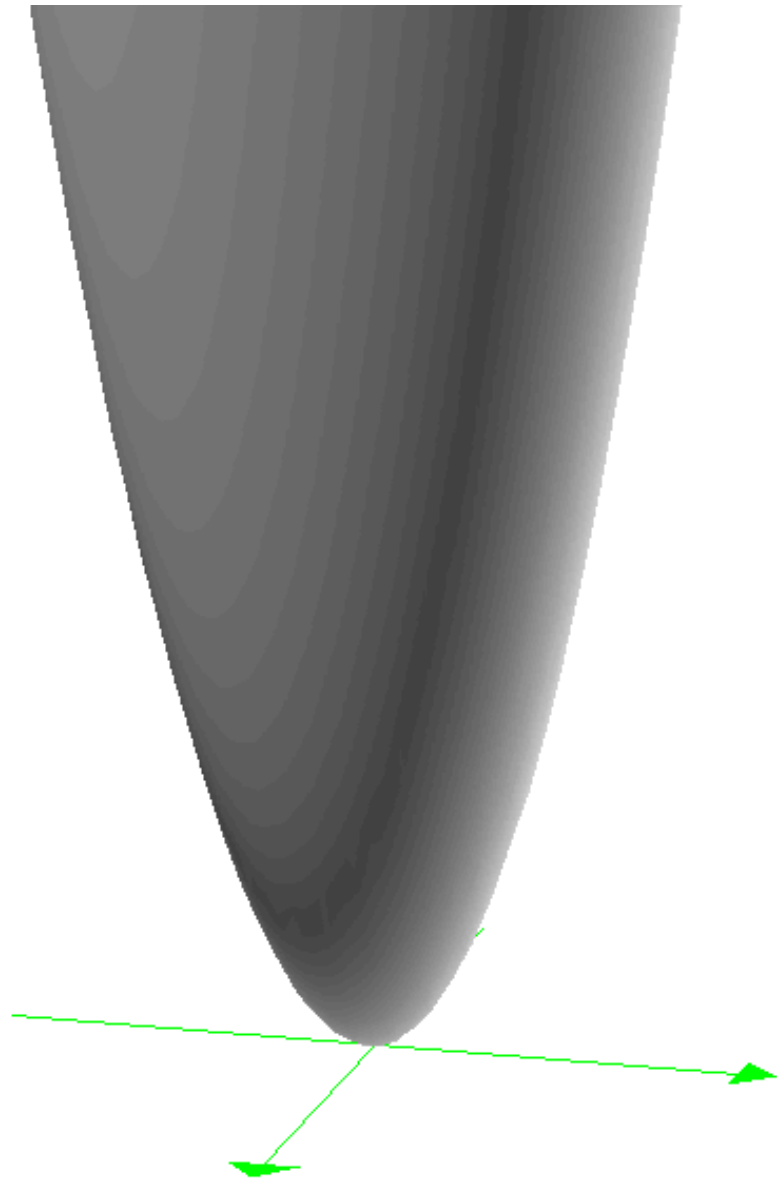
Enmantlad hyperboloid: $\frac{x^2}{a^2} + \frac{y^2}{b^2} - \frac{z^2}{c^2} = 1$



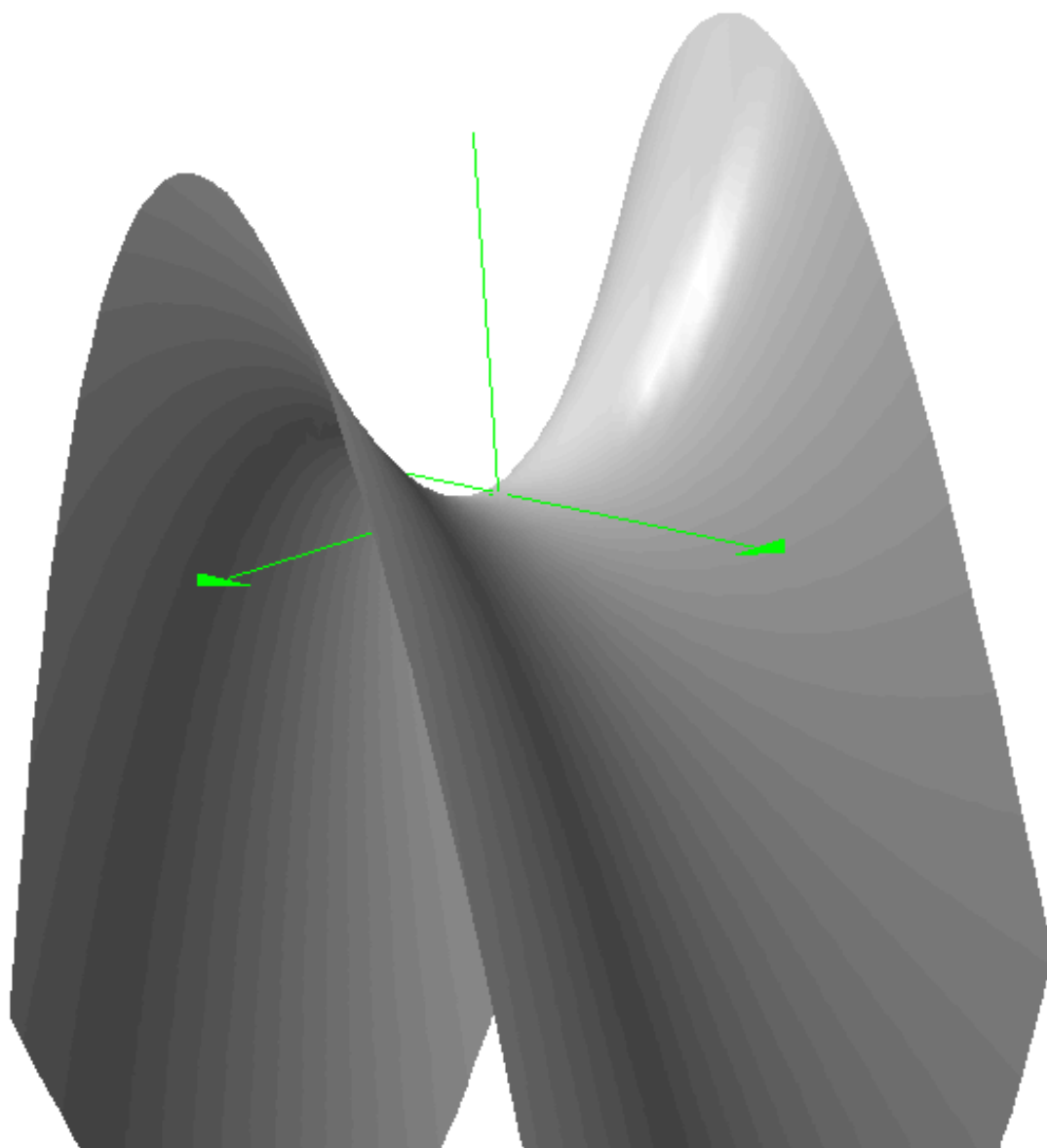
Tvåmantlad hyperboloid: $\frac{x^2}{1} - \frac{y^2}{2} + \frac{z^2}{2} = 1$



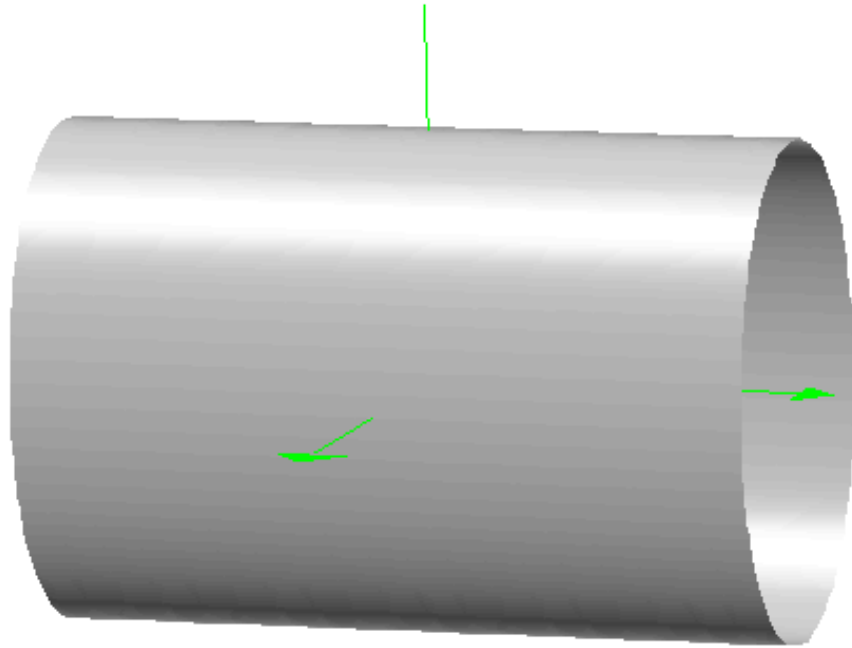
Elliptisk (dubbelkon): $\frac{x^2}{1} + \frac{y^2}{2} - \frac{z^2}{2} = 0$



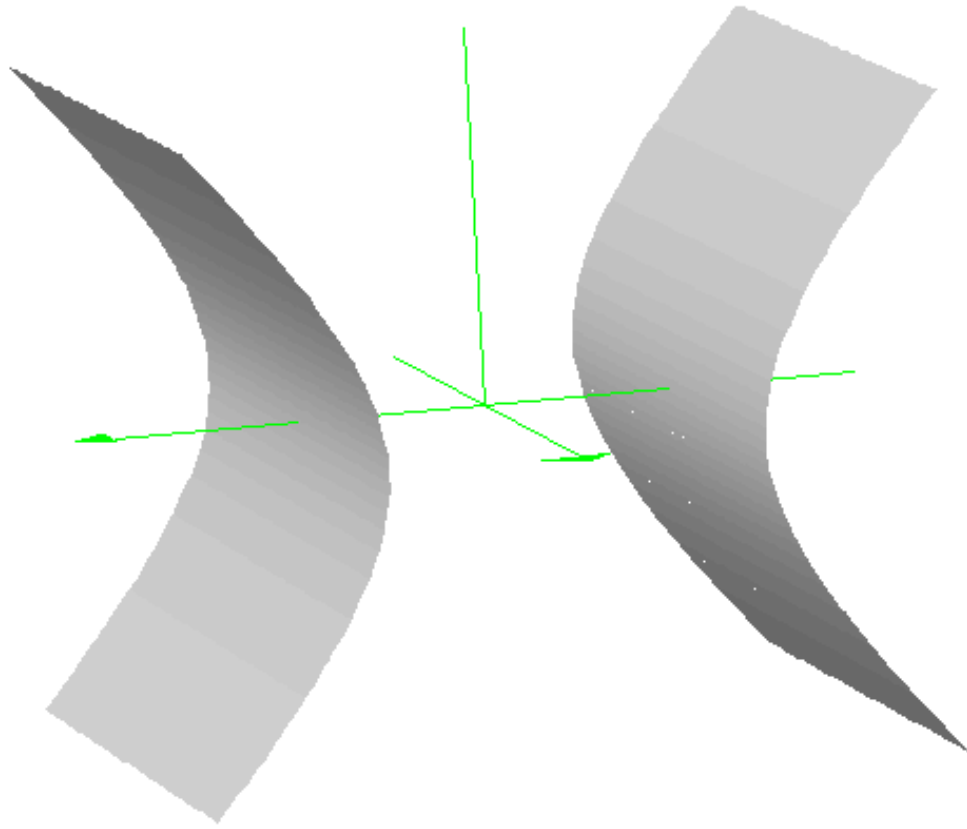
Elliptisk paraboloid: $\frac{x^2}{1} + \frac{y^2}{2} = z$



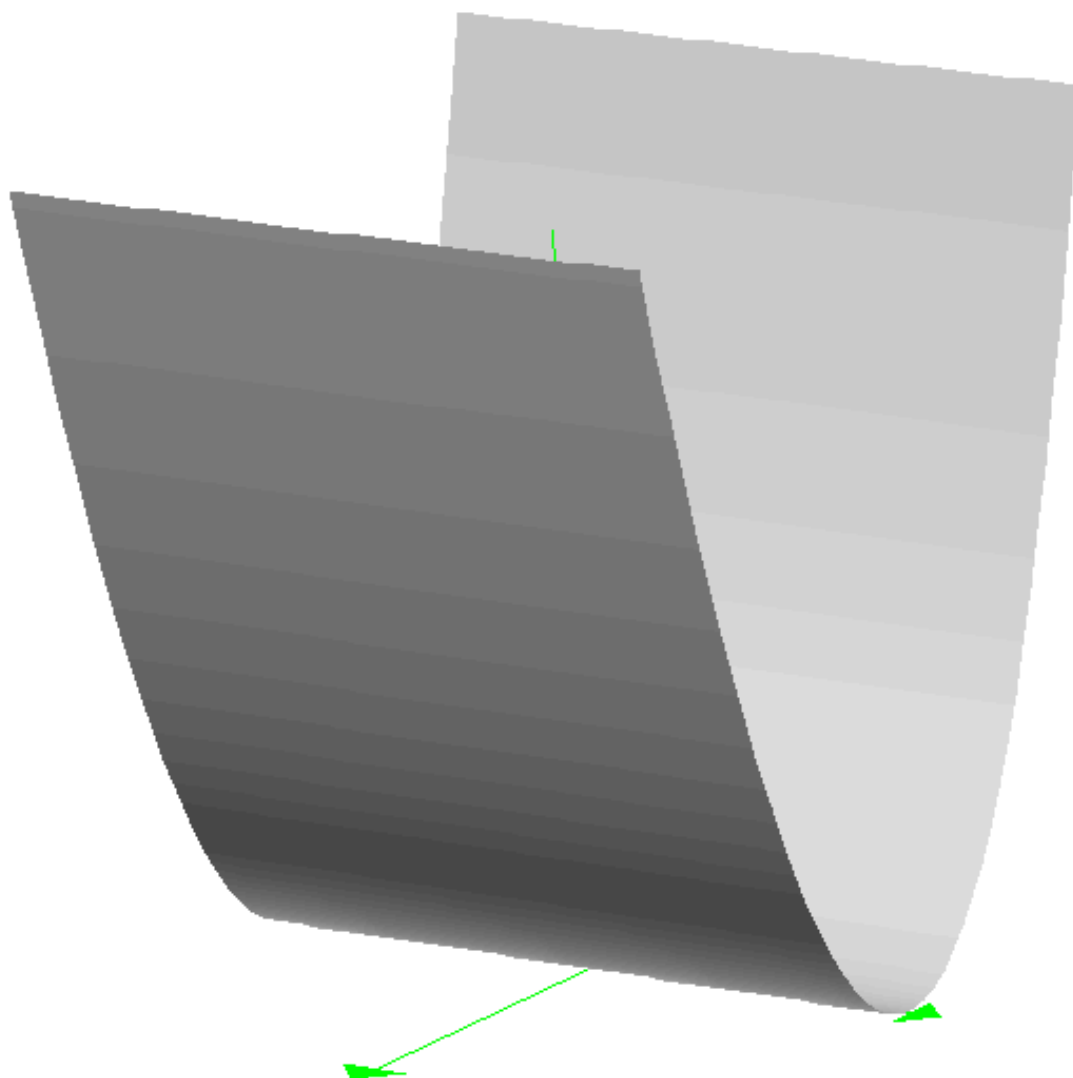
Hyperbolisk paraboloid: $\frac{x^2}{3} - \frac{y^2}{2} = z$



Elliptisk cylinder: $\frac{x^2}{2} + \frac{z^2}{4} = 1$



Hyperbolisk cylinder: $\frac{x^2}{2} - \frac{z^2}{3} = 1$



Parabolisk cylinder: $\frac{x^2}{2} = z$